

# SPECIFICATION SHEET

## 15-1002-XXX

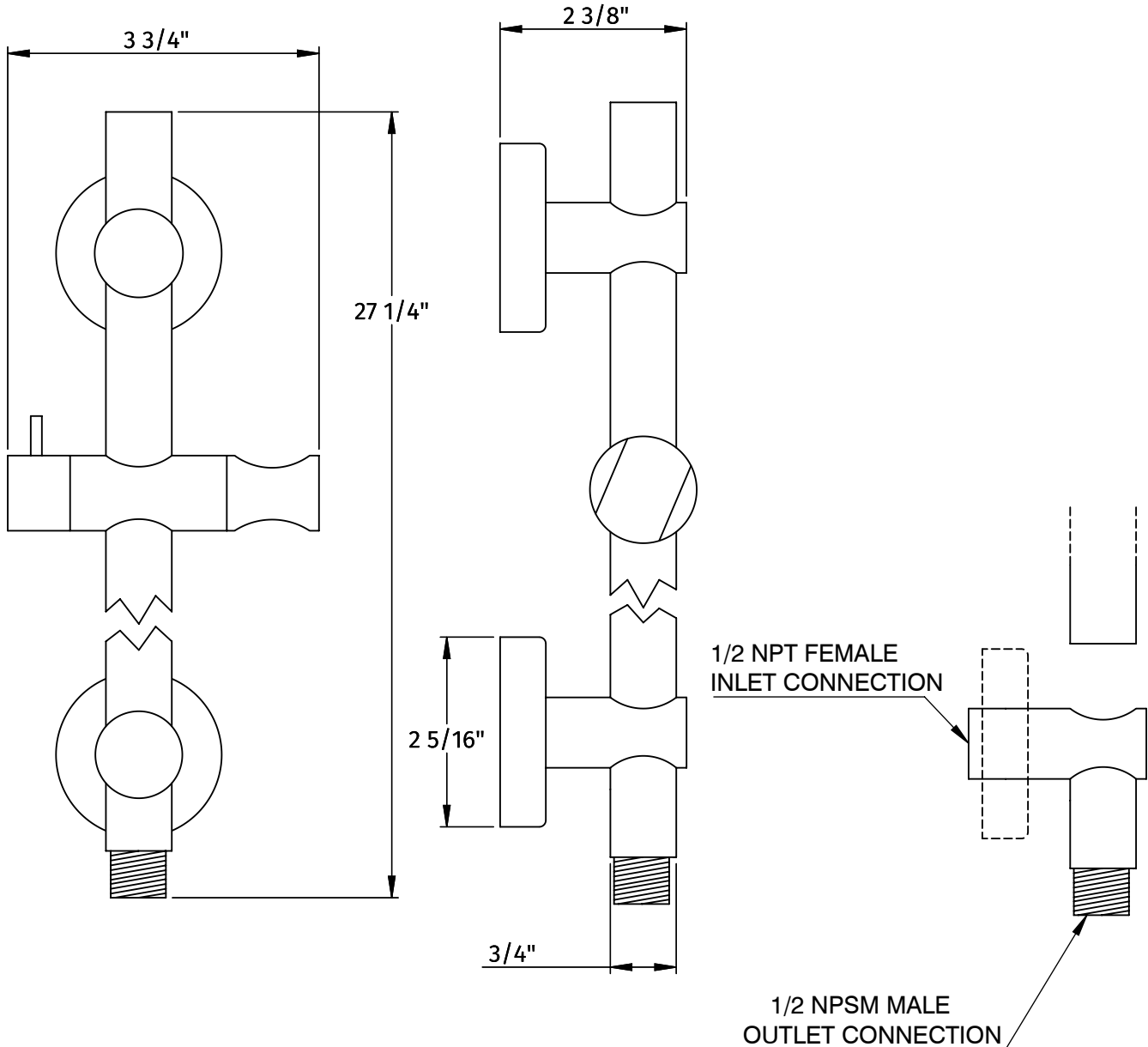
Brass shower rail  
W/ waterway

**THERMASOL**  
Steam & Showering Systems

- All brass construction
- Height adjustable swiveling cradle for hand shower
- Mounting hardware included
- 1/2" NPT female inlet
- 1/2" NPSM male outlet
- All dimensions are nominal

### AVAILABLE FINISHES:

ORB: Oil Rubbed Bronze, PC: Polished Chrome,  
PN: Polished Nickel, SN: Satin Nickel, MB: Matte Black



### FINISH CARE & MAINTENANCE

Never use any harsh alkali, acid based detergents or cleaners such as soft scrub®, scrubbing bubbles® or comet® to clean. Do not use brillo® and scotch brite® pads. These will all harm the finish. To clean, use only a damp soft cloth and wipe using a soft cloth. Standard windex® can also be used sparingly. It is not necessary to wipe hard to remove spots. To maintain the finish, wipe with a soft dry cloth after use. An occasional coat of pure carnauba wax without cleaners will help protect the finish.

# SPECIFICATION SHEET

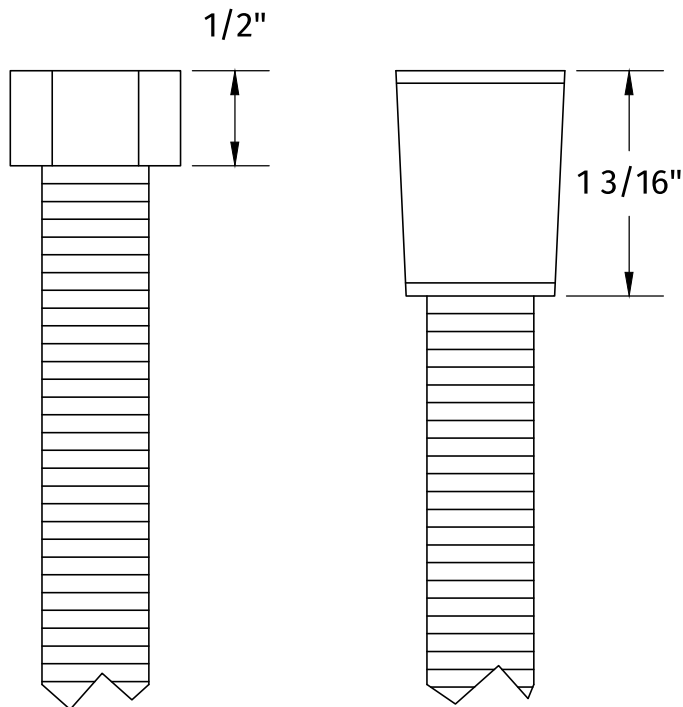
## 15-1003-XXX

Stainless steel  
handshower hose

# THERMASOL®

Steam & Showering Systems

- Stainless steel hose
- Solid brass 1/2" female IPS connectors
- Five foot in length
- Includes washers for sealing connections



### AVAILABLE FINISHES:

ORB: Oil Rubbed Bronze, PC: Polished Chrome,  
PN: Polished Nickel, SN: Satin Nickel, MB: Matte Black

### FINISH CARE & MAINTENANCE

Never use any harsh alkali, acid based detergents or cleaners such as soft scrub®, scrubbing bubbles® or comet® to clean. Do not use brillo® and scotch brite® pads. These will all harm the finish. To clean, use only a damp soft cloth and wipe using a soft cloth. Standard windex® can also be used sparingly. It is not necessary to wipe hard to remove spots. To maintain the finish, wipe with a soft dry cloth after use. An occasional coat of pure carnauba wax without cleaners will help protect the finish.

# SPECIFICATION SHEET

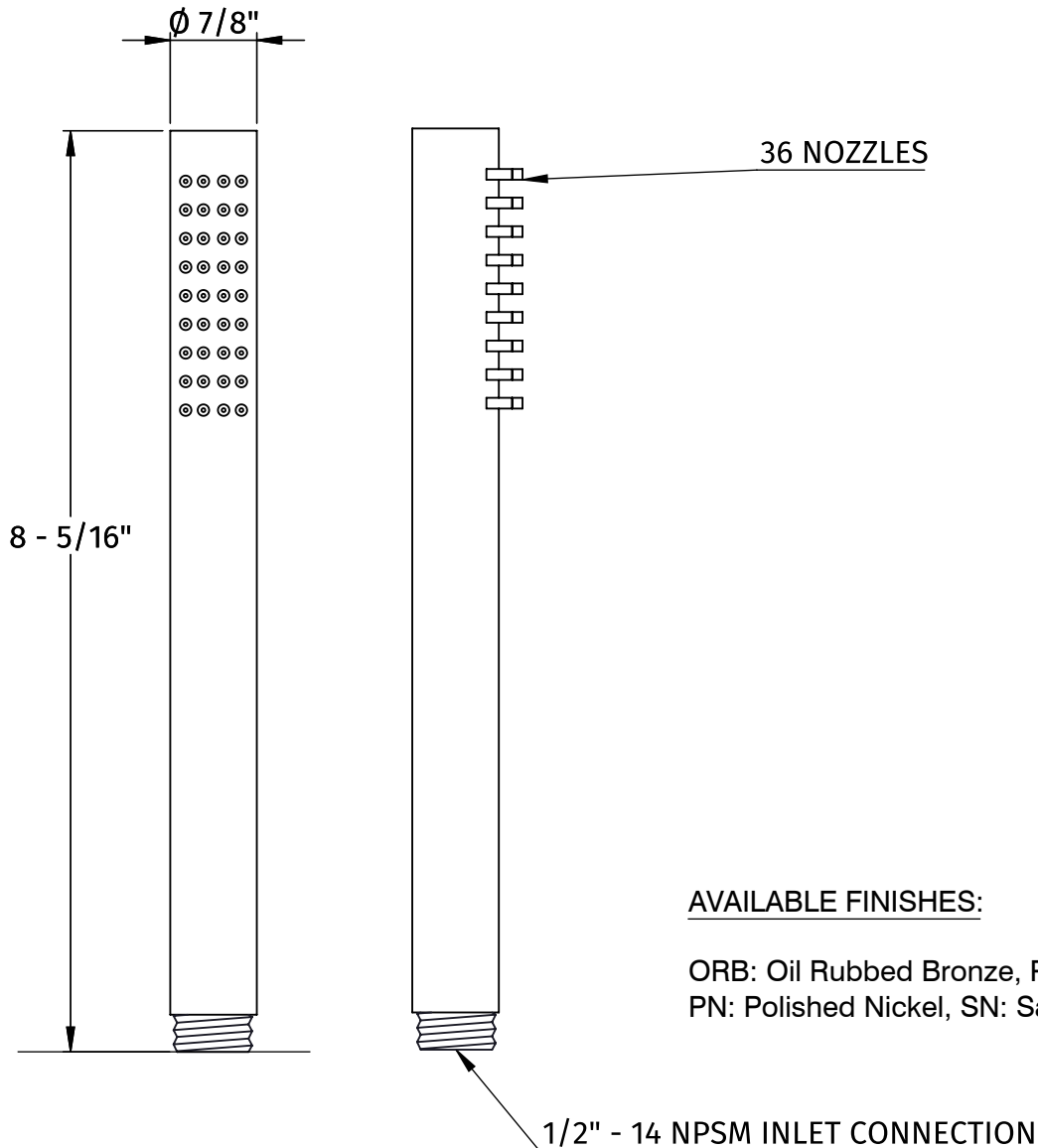
## 15-1001-XXX

### ROUND HAND SHOWER WAND

# THERMASOL®

Steam & Showering Systems

- Solid brass construction
- Single function hand shower
- Includes 1.6GPM flow restrictor CEC Approved
- Double walled Construction to prevent scalding



#### AVAILABLE FINISHES:

ORB: Oil Rubbed Bronze, PC: Polished Chrome,  
PN: Polished Nickel, SN: Satin Nickel, MB: Matte Black

#### FINISH CARE & MAINTENANCE

Never use any harsh alkali, acid based detergents or cleaners such as soft scrub®, scrubbing bubbles® or comet® to clean. Do not use brillo® and scotch brite® pads. These will all harm the finish. To clean, use only a damp soft cloth and wipe using a soft cloth. Standard windex® can also be used sparingly. It is not necessary to wipe hard to remove spots. To maintain the finish, wipe with a soft dry cloth after use. An occasional coat of pure carnauba wax without cleaners will help protect the finish.

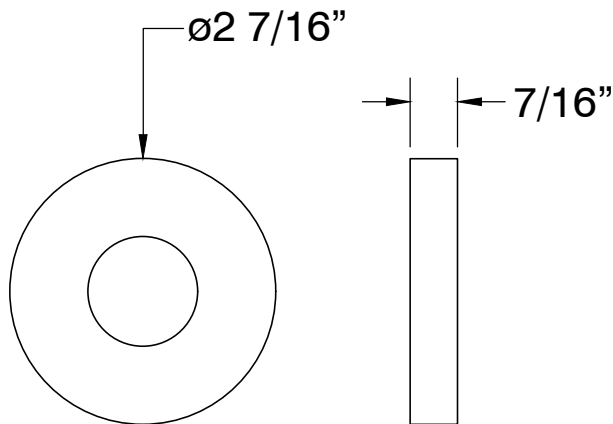
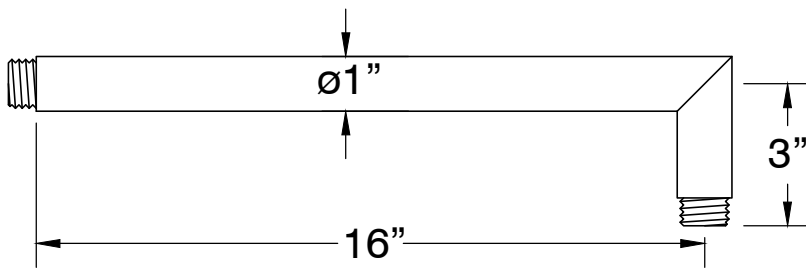
# SPECIFICATION SHEET

## 15-1000-XXX

### ROUND WALL RAIN ARM WITH 90° ANGLE

**THERMASOL**  
Steam & Showering Systems

- Solid brass construction
- Includes decorative brass escutcheon
- 1/2 NPT



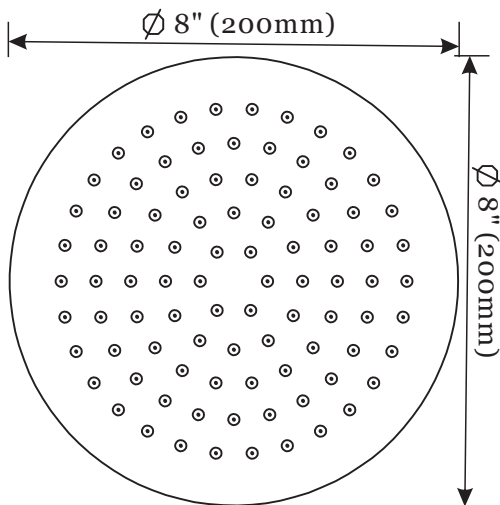
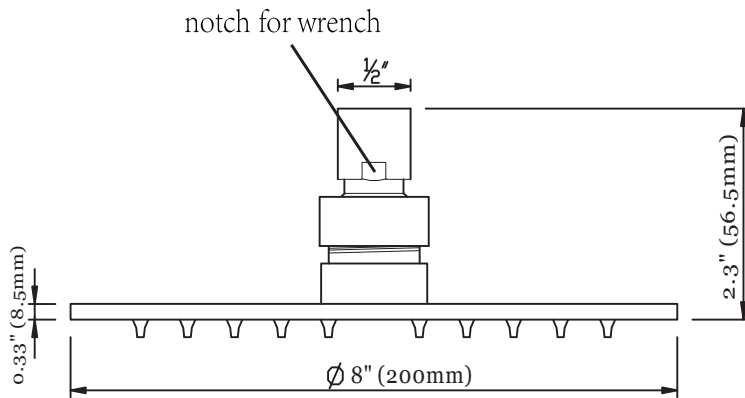
#### AVAILABLE FINISHES:

ORB: Oil Rubbed Bronze, PC: Polished Chrome,  
PN: Polished Nickel, SN: Satin Nickel, MB: Matte Black

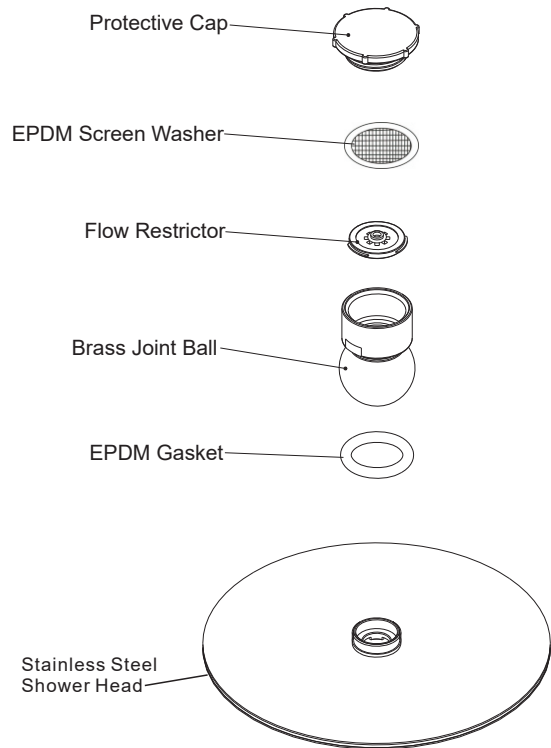
#### FINISH CARE & MAINTENANCE

never use any harsh alkali, acid based detergents or cleaners such as soft scrub®, scrubbing bubbles® or comet® to clean. do not use brillo® and scotch brite® pads. these will all harm the finish. to clean, use only a damp soft cloth and wipe using a soft cloth. standard windex® can also be used sparingly. it is not necessary to wipe hard to remove spots. to maintain the finish, wipe with a soft dry cloth after use. an occasional coat of pure carnauba wax without cleaners will help protect the finish.

## 8" Round shower head Installation instruction

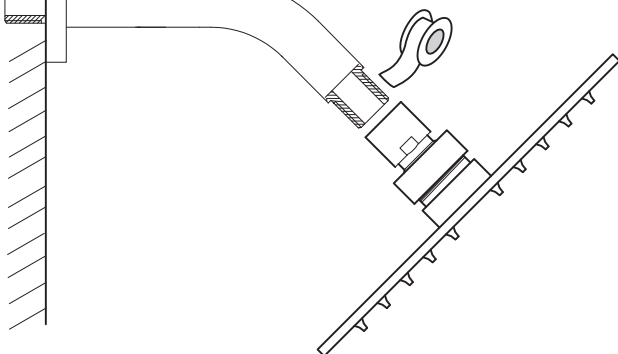


Use a licensed plumber  
for installation



WALL

1. Wrap Teflon tape clockwise
2. Attach shower head to shower arm and rotate clock wise by hand, then tighten with a wrench.



Shower Head Installation Suggestion Only.  
Teflon Tape and Shower Arm are excluded  
in Shower Head Packing box.

This shower head is supplied with a blue 1.6 GPM  
flow restrictor and meets CEC Requirements.

If you are not satisfied with the flow, non-California  
residents can replace the restrictor with this white  
2.5GPM restrictor. Check local water conservation  
codes before changing the restrictor.

**IMPORTANT:** Re-insert protective stainless-steel  
screen on top of restrictor.